



Main Unit

M10、M10PRO

Product Specification



Content

Preface	2
<i>About This Product Specification Manual</i>	2
<i>Trademark Statement</i>	2
<i>Disclaimer</i>	2
Product Overview	2
<i>Product Introduction</i>	3
<i>Product Features</i>	3
Product Specification	3
Product Dimension Diagram	7

Preface

About This Product Specification Manual

This product specification manual provides detailed information on the components and parameters of the Main Unit product. All content, including text, images, and graphics, is the property of Shenzhen Streamax Technology Co., Ltd. No part of this document may be copied, extracted, or modified without prior written consent from the company. Unless otherwise stated, this specification does not provide any form of warranty.

This document is intended for use by authorized users and technical support personnel only. Product images and screen content are for reference purposes only. The actual product (including appearance, color, and dimensions) may vary. Please refer to the physical product for accuracy.

The data in this document is based on theoretical values obtained from Technology's internal laboratory tests. Actual performance may vary due to product differences, software versions, usage conditions, and environmental factors.

Streamax Technology may update or modify the specifications from time to time to reflect changes in product performance, functionality, or components without prior notice.

Trademark Statement

Streamax is a registered trademark of Shenzhen Streamax Technology Co., Ltd. All other trademarks are the property of their respective owners.

Disclaimer

The product described in this document is provided "as is" without any express or implied warranties, including but not limited to warranties of merchantability or fitness for a particular purpose. Streamax Technology shall not be liable for any damages resulting from the use of the product or the specifications, including but not limited to loss of profits, data, or documentation.

When the product is connected to the Internet, Streamax Technology is not responsible for network security risks such as cyberattacks, hacking, or virus infections. However, we will provide technical support as necessary.

By using this product, you agree to comply with all applicable laws. Streamax Technology is not responsible for any misuse of the product or any infringement of third-party rights.

If there is any conflict between this specification and applicable laws, the laws shall prevail.

Copyright © 2025 Shenzhen Streamax Technology Co., Ltd. All rights reserved.

Product Overview

Product Introduction

The M10 Pro is a high-performance device equipped with an 8-core high-performance processor and a built-in 6TOPS high-efficiency AI processor unit, making it capable of handling various artificial intelligence applications. It runs on the Android operating system, providing users with the flexibility to install a wide range of applications according to their need. It features rich interfaces, supporting 8-channel IPC and 8-channel AHD, with each channel capable of reaching up to 1080P@30 frames. Additionally, the device supports serial ports, CAN interfaces, IO, and other interfaces. It integrates 4G/5G network connectivity, WIFI6 high-speed networking, and BD&GPS combined with RTK high-precision positioning. The M10 Pro also offers dual hard disk storage options. Furthermore, it supports robust video output capabilities, including a built-in dual-screen display output function, to meet both user security and business function display needs simultaneously.

And the M10, a standard version, shares similar core components but supports 4-channel IPC and 4-channel AHD instead, less IO and Serial Interfaces.

M10 Pro/M10 is specially designed for mining trucks, wide-body trucks and other engineering operation vehicle scenarios. The product has unique high reliability, anti-electromagnetic interference, anti-radiation, and meets the vehicle-mounted vibration standards. At the same time, the product adopts an industrial appearance design that is more concise and rugged, a miniaturized product structure that is more flexible to install, and a rich interface design that is suitable for a variety of vehicle models and application scenarios.

Product Features

- 6TOPS computing power
- 4/8-channel IPC, 4/8-channel AHD, full-frame video access capability
- Support dual-frequency & multi-mode, RTK high-precision positioning
- Android system
- Dual screen display
- Dual hard drives + 1-channel Micro SD storage
- High-performance host miniaturized design
- High reliability, specially designed for mining vehicles, wide-body vehicles and other engineering vehicles
- Rich interfaces, multi-channel CAN, IO, RS232, RS485, etc

Product Specification

Technical items	Technical indicators	
Product Model	M10-H0404	M10 PRO-H0808

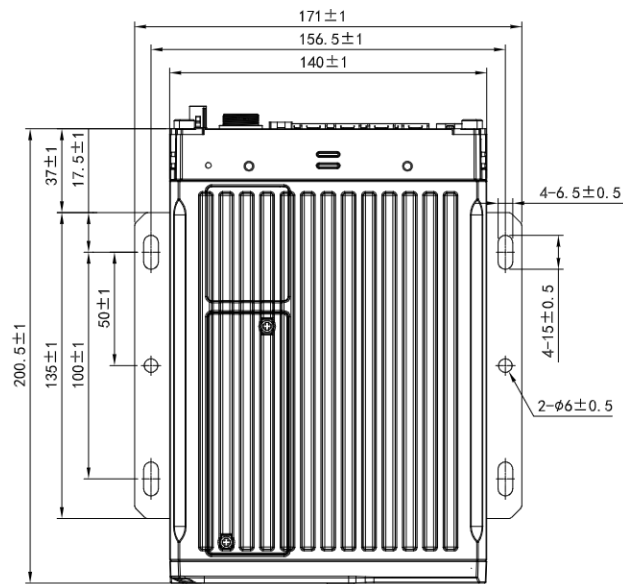
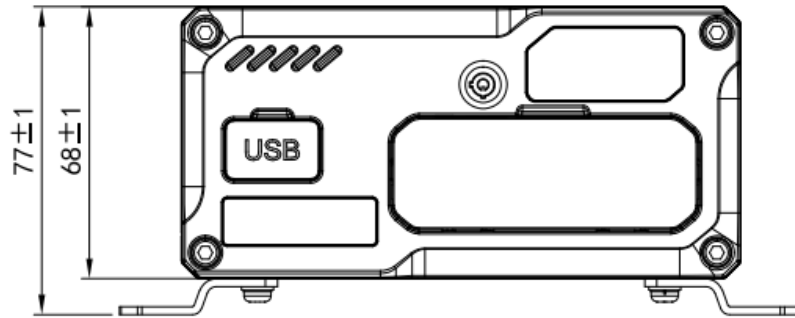
System	Operating System	Android 14	
Video	Input	4 -channel AHD+ 4- channel IPC	8 -channel AHD+ 8 -channel IPC
	Output	1 Serdes + 1 AHD video interface	
	Total Resources	4*1080P@ 30fps (AHD)+4*1080P@30fps(IPC) Backward compatible with 1080P, 720P, D1	8 * 1080P@ 30 fps (AHD) + 8 * 1080P@30fps (IPC) Backward compatible with 1080P, 720P, D1
Audio	Input	8 channels (AHD* 4+IPC*4)	16 channels (AHD* 8 +IPC* 8)
Video	Audio Video	video	H.264/H.265
	Compression Format	Audio	ADPCM, G.711U
Network	4G /5G	4G full network support by default	
	WIFI	802.11 a/b/g/n/ac/ax , built-in antenna	
Position	Satellite Positioning	Support BD&GPS positioning, speed detection, time synchronization GPS supports L1 and L5 BD supports B1I, B1C, B2A	
Sensor	G-Sensor	Built-in six-axis inertial sensor	
Storage	Hard disk	Support dual hard disks 1 x 2280 M.2 SSD (SATA protocol), hard disk box , support hot swap 1 x 2280 M.2 SSD (NVMe/SATA protocol), built-in , does not support hot swap	

		Support hard disk heating	
	SD	Support Micro SD 32GB/64GB/128GB/256GB, support hot swap	
Interface	AHD Video Input	4-pin interface	
	IPC Video Input	6-pin interface	
	USB	1 x USB 3.0 (Type A)	
	SIM	1 x Nano SIM card slot	
	Serial Port	2 x RS232, 1 x RS485	4 x RS232, 2 x RS485
	CAN	2 x CAN	4 x CAN
	Switching Signal	8 inputs, 2 outputs	8 inputs, 4 outputs
	Seat Vibrator	Support 1	
	Pulse Speed Measurement	Support 1	
	Microphone Input	Support 1 microphone, large 5557 interface	
Trumpet	Support 1 external speaker interface, small 5557 interface		
Power Supply	Input	DC 9 ~36V	
	Output	5V@ 1A & 12V @ 3A	

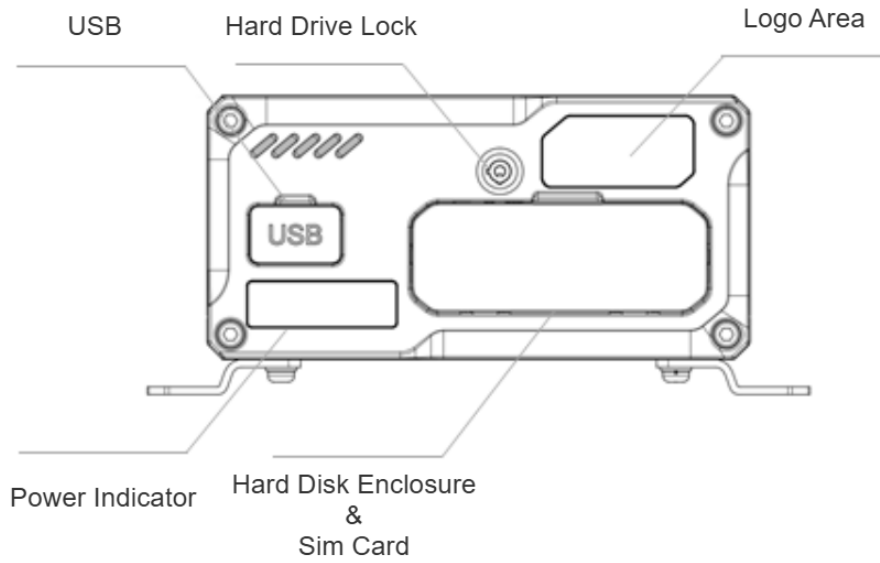
	Maximum Typical Power Consumption	75W (including full-channel camera)	100W (including all-channel cameras)
	Standby Power Consumption	≈0W	
Indicator Lights	Indicator Lights	PWR: Blue Light REC: Green USB: Green ALM: Red ERR: Red NET: Green	
Physical Properties	Dimensions (mm)	200 x 171 x 77 (with bracket and without cover)	
Environment	Operating Temperature	-30 °C ~ +70°C	
	Storage Temperature	-40°C ~ +85°C	
	Operating Humidity	15%~95% (no condensation)	

Product Dimension Diagram

(Unit: mm)

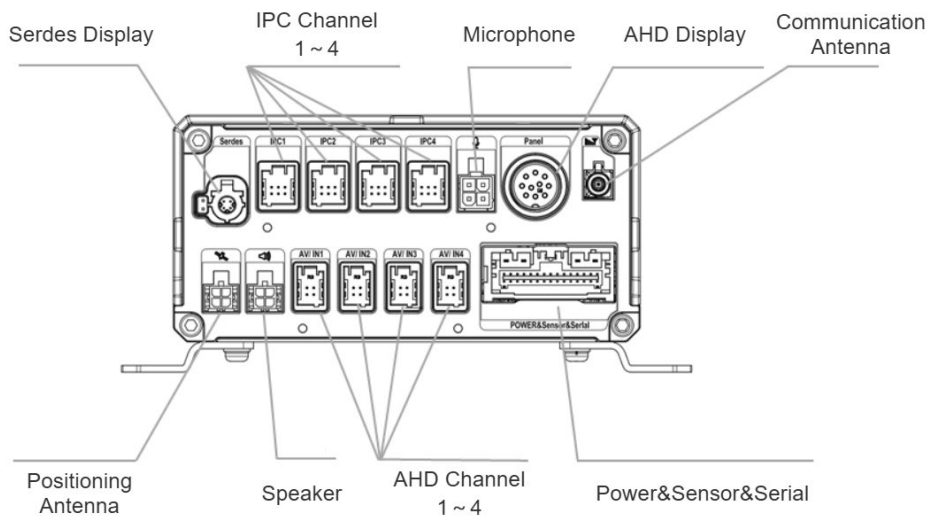


Front Panel:



Rear Panel:

M10



M10 Pro

