

# MDVR-A8Pro-H0412



# 1. Product Introduction

The A8Pro-H0412 product consists of a 3.5-inch hard drive module, host module, communication module, power module, etc. It is an intelligent hard disk monitoring and dispatch integrated machine that includes functions such as business scheduling, video playback, voice broadcasting, driver attendance, and business sensor interconnection.

# 2. Product Features

- Each module is connected by a vehicle-grade high-precision connector, supporting quick detachment, ensuring both safety and ease of maintenance.
- Embedded Linux operating system.
- Quad-core processor and powerful neural network inference engine, supporting various intelligent algorithm applications.
- Supports H.265/H.264 encoding and decoding, improving the utilization of storage space.
- Supports 3.5-inch hard disk storage.
- The entire system adopts comprehensive vibration reduction technology that combines mechanical dampers, electronic stabilizers, and software-based anti-vibration measures.
- Rich peripheral interfaces.

# Product Specifications

## Product Model.

A8Pro-H0412

## Technical Items

## Technical Specifications

### Basic Parameters

CPU	ARM Cortex A53 Quad-core @Max. 1.15GHz
DDR	2GB
OS	Linux
3G/4G	TDD-LTE/FDD-LTE/EVDO/TD-SCDMA/WCDMA
5G	Optional
WIFI	802.11b/g/n/ac (Optional)
Positioning	Supports GPS
HDD	1 × 3.5" SATA HDD + 1 × M.2 SSD (Optional) , hard disk heating supported
G-Sensor	Built-in 6-axis inertial sensor

### Port

Video Input	4-channel AHD + 12-channel IPC (PON power supply)
Total Capacity	PAL:4*1080P@25fps AHD +12*1080P@30fps IPC NTSC:4*1080P@30fps AHD +12*1080P@30fps IPC
Video Output	1 CVBS output + 1 VGA output
Audio Input	4-channel analog +12-channel IPC
Audio Output	1 channel analog.
USB	1 × USB2.0 (5pin circular connector) + 1 × USB3.0 (Type A)
SD	Supports
LAN	1*1000Mbps, RJ45 Port
SIM Card	1 * SIM card slot (optional support for 2 * SIM cards).
IO	8-channel input and 2-channel output
Power amplifier	2 channel output, maximum support 20W
Serial port	RS232*2, RS485*2
CAN	2*CAN
SPEED	1 channel pulse speed measurement.
MIC	external loudspeaker

### Power Supply

Power Input	DC 8 ~ 36V
Power output	12V/1A, 5V/0.5A
Power consumption	The power consumption of main engine is 12W, and the typical power consumption is 95W

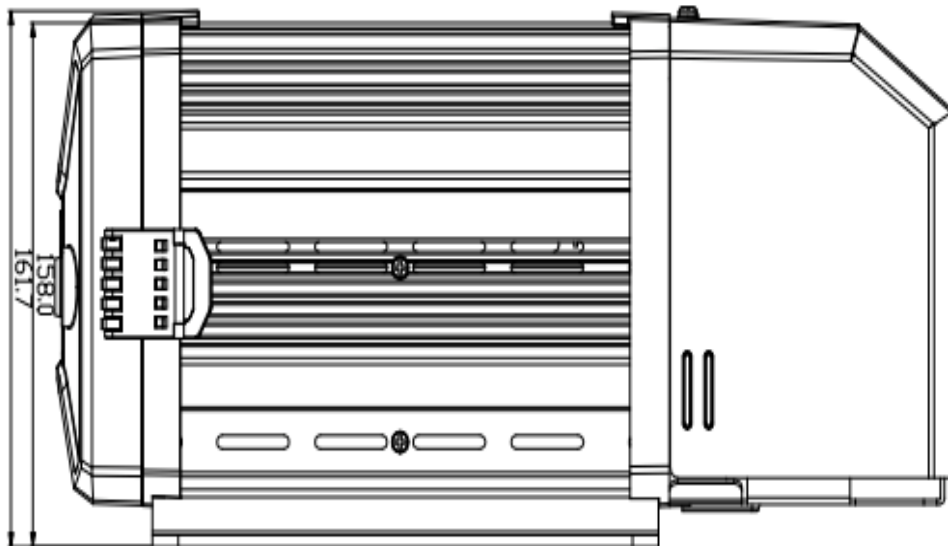
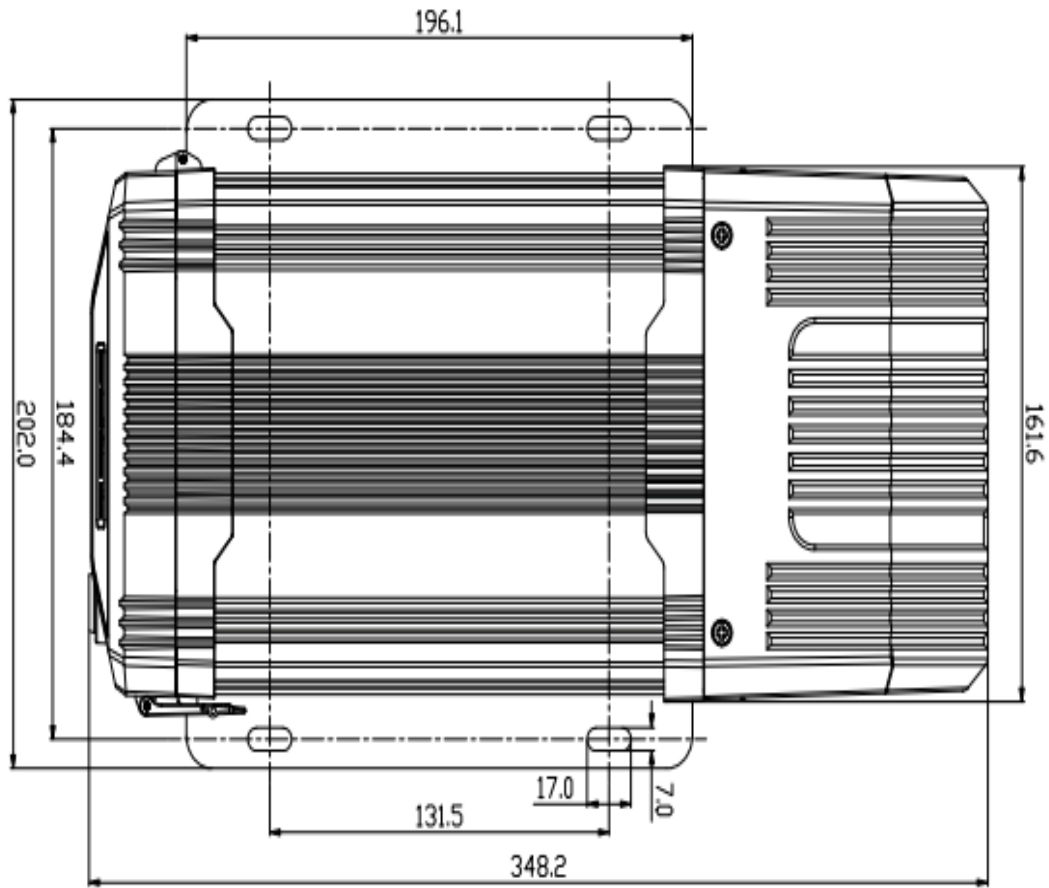
### Installation

Size	348.2 (L) *202 (W) *161.7 (H) mm (with rear guard)
Weight	about 7.5Kg (The host computer does not carry a hard disk)

### Working Environment

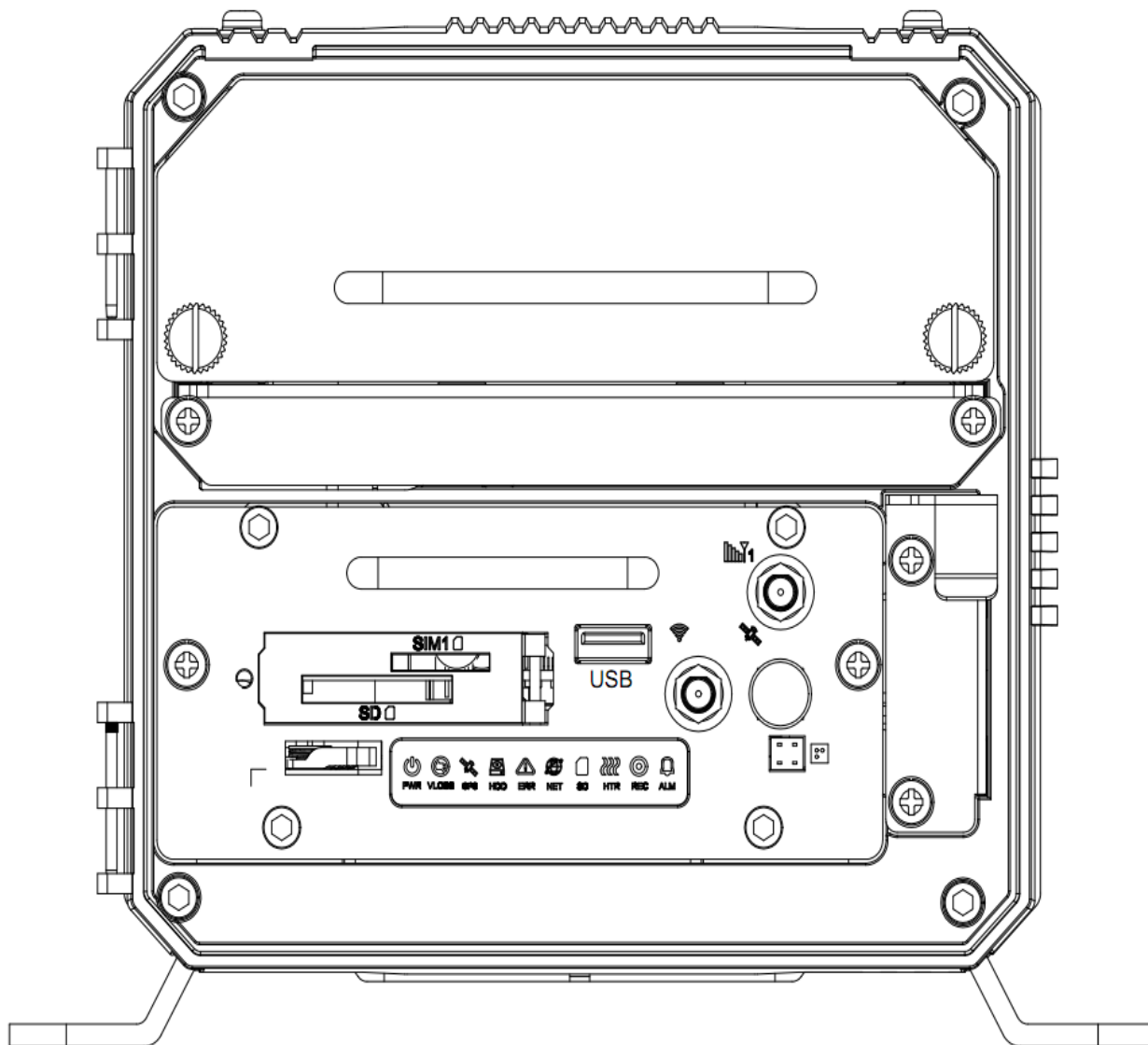
Operating temperature	-30°C ~ +50°C (Host with hard disk) -30°C ~ +70°C (The host does not come with a hard disk)
Storage temperature	-40°C ~ +85°C

## Product dimensions








# Panel interface

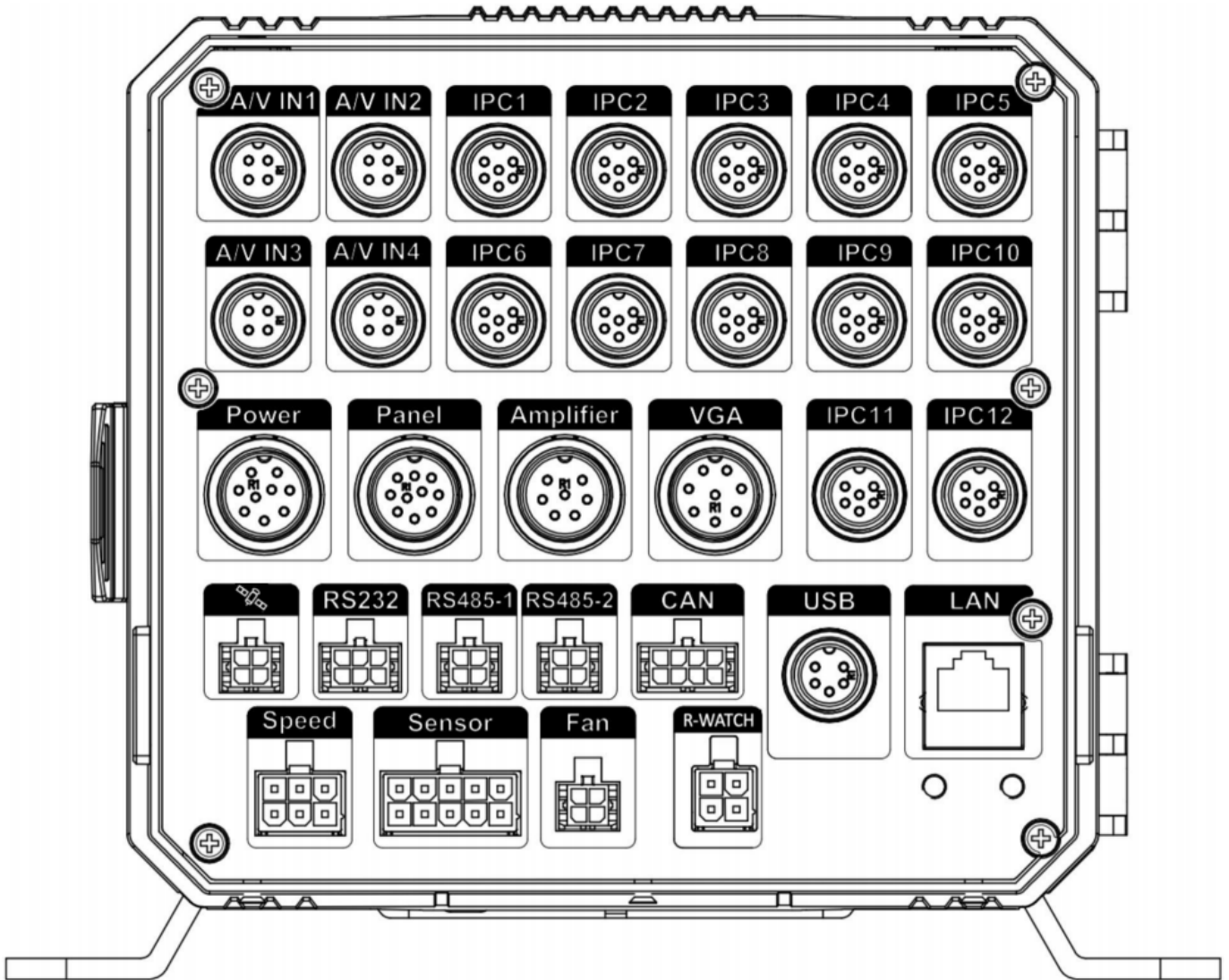
Front




Front Panel Interface

SIM1	SIM card interface
SD	SD card interface
USB	USB3.0 interface
	Wi-Fi antenna port
	Internal positioning module port
	3G/4G antenna port
	Debug
	Indicator Light

## Rear Panel



Rear Panel Interface

A/V IN1~A/V IN4	Analog audio/video input ports 1 to 4
IPC1 ~ 12	IPC (PON power supply) audio/video input ports 1-12
Power	Power Input
Panel	Man-machine interactive screen interface
Amplifier	Power amplifier output
VGA	VGA high definition display output
	External positioning module port
RS232	2*RS232 interface
RS485-1/RS485-2	2*RS485 interface

CAN	2*CAN interface
USB	Disaster Preparedness Memory interface
LAN	LAN port
Speed	Speed input/IO out
Sensor	IO Input
Fan	Fan interface
R-WATCH	R-WATCH interface