



## Introduction

X7PRO-H0808 is a device with good cost performance and strong functional scalability specially designed for mobile surveillance and remote video monitoring. The device adopts the high-speed processor and embedded operating system, integrating advanced H.265 video compression/decompression, 4G/3G, GPS positioning and WIFI technologies. 720P and 1080P resolution, driving records and remote video upload in combination with the center software to enable remote video monitoring of alarm linkage, intelligent vehicle dispatch & management and playback analysis based on the central database. The product features shock resistance, electromagnetic interference resistance, radiation protection, simple

## Advantages

- Advanced H.265 video compression/decompression technology
- 4G/3G, GPS/BD positioning and WIFI technologies (pluggable modules)
- Support recording of 1080P/720P resolution
- Support VGA/CVBS different-source video output
- Support 20-26.1mm HDD, HDD heating and HDD power-off protection technologies
- Certified by E-MARK, CE, FCC, EN50155 and ROHS
- Support remote wake-up and IO wake-up

appearance, easy installation, versatility, large HDD capacity, SD card backup and high reliability.

- Support to access the fire-proof box
- Support the EasyCheck APP (parameter configuration and maintenance)
- Support gigabit Ethernet port

## Specifications

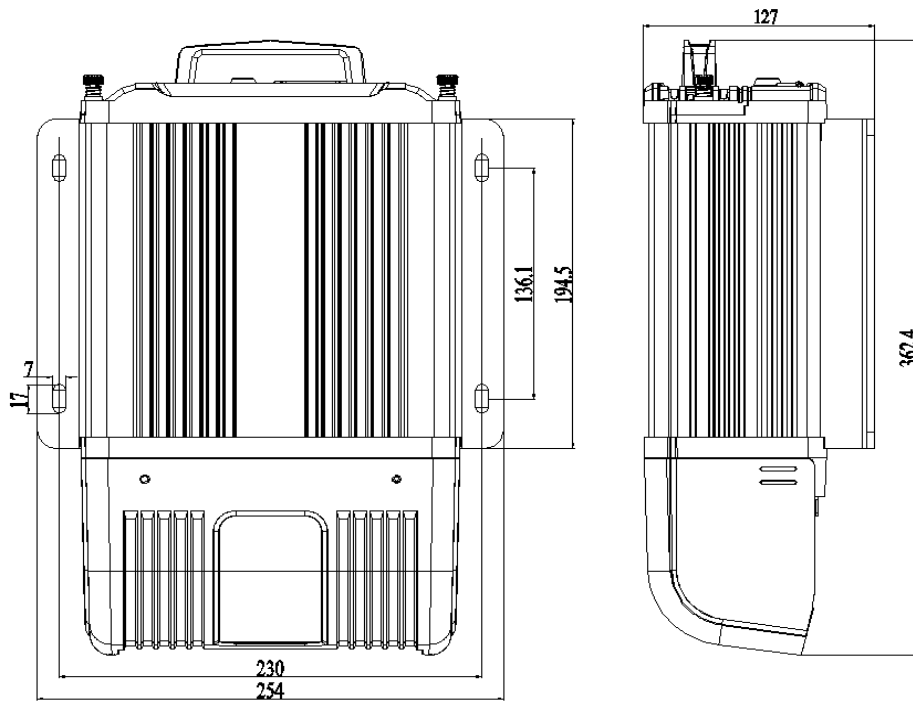
Product model		
	X7 PRO-H0808	
Function Overview		
	Preview, recording, playback, network transmission and positioning	
System		
	Operating system	Linux 3.18
	Control mode	CP4, mouse, EasyCheck APP and network (3G/4G/WIFI)
Video		
	Input	8-channel AHD+8-channel IPC
	Output	1-channel CVBS and 1-channel VGA (support 1080P to be compatible with 720P)
	Total resource	PAL: 8x720P@25fps (AHD)+8x1080P@30fps (IPC) Or 8x1080P@10fps(AHD)+8x1080P@30fps (IPC) NTSC : 8x720P@30fps (AHD)+8x1080P@30fps (IPC)

		Or 8x1080P@12fps (AHD)+8x1080P@30fps (IPC)
Audio		
	Input	16 channels(AHD*8+IPC*8)
	Output	2 channels
Display		
	Split display	1/4/9 image display
	On-screen display (OSD)	Positioning information, alarm, license plate number, speed and time
	Operation interface	Graphical user interface
Recording		
	Audio & video compression format	Video (H.265/H.264)
		Audio (ADPCM and G.711U)
	Image resolution	<p>PAL:</p> <p>1080P, 720P, WD1(928X576), WHD1(928X288), WCIF (464X288), D1(704X576), HD1(704x288) and CIF(352x288);</p> <p>NTSC:</p> <p>1080P, 720P, WD1(928X480), WHD1(928X240), WCIF(464X240), D1(704x480), HD1(704x240) and CIF(352x240);</p> <p>Digital:</p> <p>1080P(1920X1080) and 720P(1280X720).</p>
	Image quality	Level 1-Level 8 adjustable (Level 1 is the best)
	Recording mode	Boot/timing/alarm event recording
	Alarm pre-recording	0-60min
	Alarm recording delay	0-30min
Playback		
	Playback channel	Local: support 1/4/9 channels (main stream of single channel and sub-stream of multiple channels)
		WEB: support synchronous playback of 1/4/9 channels
	Browse mode	Time, channel and event

Network		
	Wired	LAN { 1000M/100M (RJ45 without light)}
		WAN { 1000M/100M (RJ45 without light)}
	Wireless (optional)	WIFI (support 802.11b/g/n/ac)
		3G/4G {only one of 3G/4G is supported (support remote wake-up)}
Positioning		
	GPS	Support positioning, speed detection and time synchronization
Sensor		
	G-Sensor	Built-in 6-axis inertia sensor
Storage		
	HDD	1 x3.5"SATA HDD Thickness 20-26.1mm. Support HDD heating
	SD	Support SDXC 32GB/64GB/128GB/256GB and hot plugging
Interface		
	USB	1 x USB2.0 (Type-A) + 1 x USB2.0 (Type-B)
	eSATA	1 x eSATA
	SD	1 x SD card slot
	SIM	1 xPUSH-PUSH SIM card slot
	Serial port	2 x RS232、2 x RS485
	CAN	2 x CAN
	IO	8-channel input and 2-channel output
	Velocity measurement of pulse	1 channel
	Control panel	CP4
	Intercom	1 MIC interface (CP4)
Power supply		
	Input	DC 8~36V

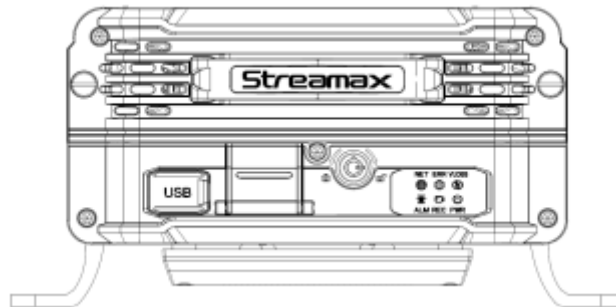
	Output	5V@500mA & 12V@500mA
	Maximum power consumption	85W
	Stand-by power consumption	≈ 0W
Physical property		
	Dimensions (L x W x H)	362.4x 254 x 127mm (with the rear cover and holder)
Environment		
	Operating temperature	-40°C ~ +70°C -40°C ~ +70°C (with heating and no HDD)
	Operating humidity	8%-90% (no condensation)

## Product dimensions



## Interface on the panel

Front panel



Rear panel

